

SINGLE PHASE HYBRID INVERTER

SunExpert SL10|12K-EU



• FEATURES



Colorful touch LCD, Ip65 protection degree



Ac coupling to retrofit existing solar system



Max. 16 pcs parallel for on-grid and off-grid operation; Support multiple batteries parallel



Max. charging/discharging current of 135A

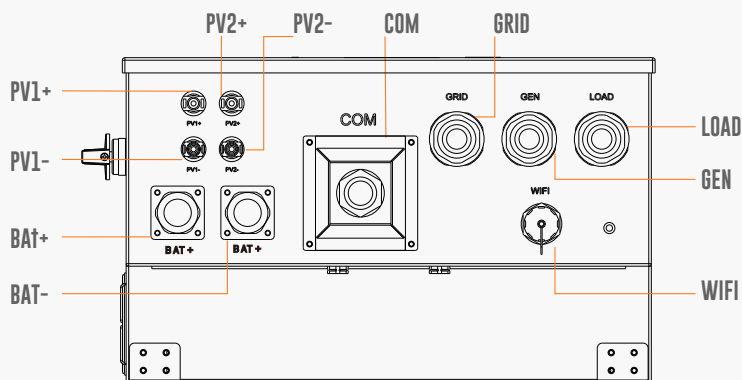


6 time periods for battery charging/discharging

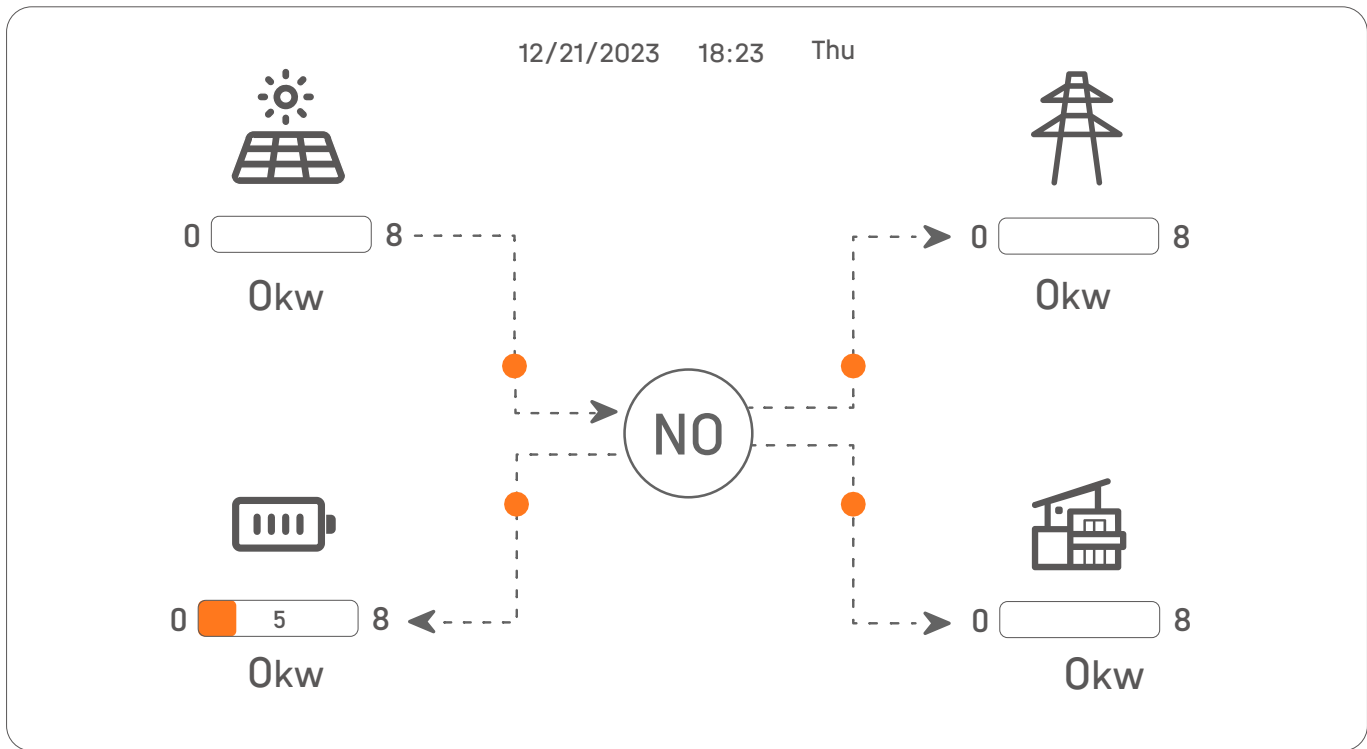


Support storing energy from diesel generator

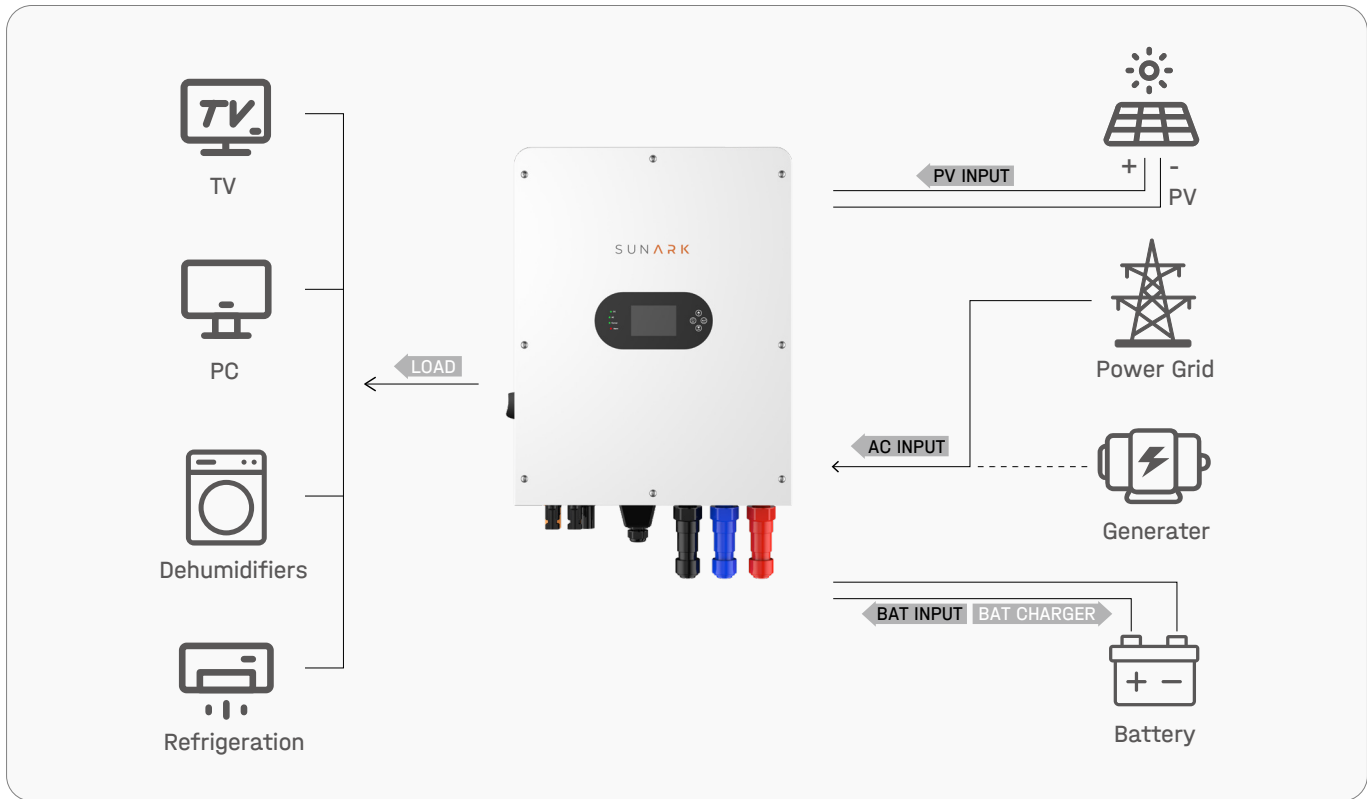
• PRODUCT CHARACTERISTICS



Model	SunExpert SL10K-EU	SunExpert SL12K-EU
Battery Input Data		
Battery Type	Lead-acid or Li-Ion	
Battery Voltage Range(V)	40-60	
Max. Charging Current(A)	220	250
Max. Discharging Current(A)	220	250
Charging Curve	3 Stages / Equalization	
External Temperature Sensor	yes	
Charging Strategy for Li-Ion Battery	Self-adaption to BMS	
PV String Input Data		
Max. DC Input Power(W)	13000	15600
PV Input Voltage(V)	370V (125V~500V)	
MPPT Range(V)	150~425V	
Full Load DC Voltage Range	200~425V	
Start-up Voltage(V)	125V	
PV Input Current(A)	26+26+26	26+26+26
No. of MPPT Trackers	3	3
No. of Strings Per MPPT Tracker	2+2+2	2+2+2
AC Output Data		
Rated AC Output and UPS Power(W)	10000	12000
Max. AC Output Power(W)	11000	13200
Peak Power(Offgrid)	2 times of rated power, 10 S	
AC Output Rated Current(A)	45.5/43.5	54.6/52.2
Max. AC Current(A)	50/47.9	60/57.4
Max. Continuous AC Passthrough(A)	60	60
Power Factor	0.8 leading - 0.8 lagging	
Output Frequency and Voltage	50/60Hz;220/230Vac	
Grid Type	Single Phase	
Total Harmonic Distortion (THD)	<3% (of nominal power)	
DC current injection	<0.5% In	
Efficiency		
Max. Efficiency	97.60%	
Euro Efficiency	96.50%	
MPPT Efficiency	99%	
Protection		
PV Arc Fault Detection	Integrated	
PV Input Lightning Protection	Integrated	
Anti-islanding Protection	Integrated	
PV String Input Reverse Polarity Protection	Integrated	
Insulation Resistor Detection	Integrated	
Residual Current Monitoring Unit	Integrated	
Output Over Current Protection	Integrated	
Output Shorted Protection	Integrated	
Over Voltage Category	Integrated	
Surge Protection	DC Type II/AC Type II	
Over Voltage Category	DC Type II / AC Type III	
Certifications and Standards		
Grid Regulation	IEC61727/IEC 62116,EN 50549-1	
Safety EMC / Standard	IEC/EN 61000-6-1/2/3/4,IEC/EN 62109-1,IEC/EN 62109-2	
General Data		
Operating Temperature Range (°C)	-40-60 °C, >45 °C Derating	
Cooling	Smart Cooling	
Noise (dB)	≤50 dB	
Communication with BMS	RS485; CAN	
Monitoring mode	WIFI, APP	
Size (W x H x D mm)	24	
Protection Degree	413Wx630Hx257.5D (Excluding connectors and brackets)	
Installation Style	IP65	
Warranty	Wall-mounted	
Weight (kg)	5 Years (10Years Optional)	



Lcd Display Icons



Basic System Architecture